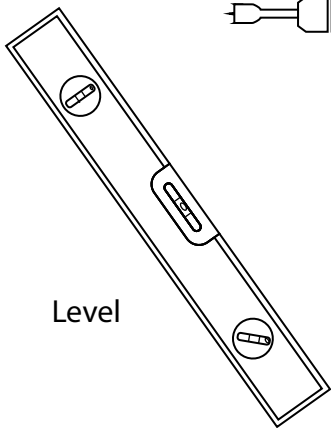
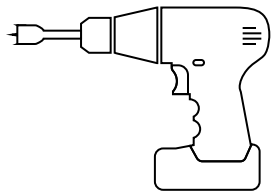


Follow these mounting instructions for proper drop in installation.

Tools You May Need



Level



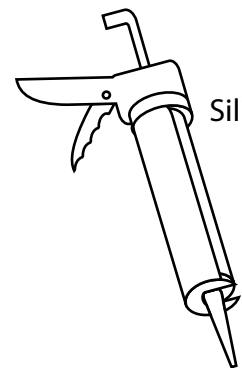
Drill



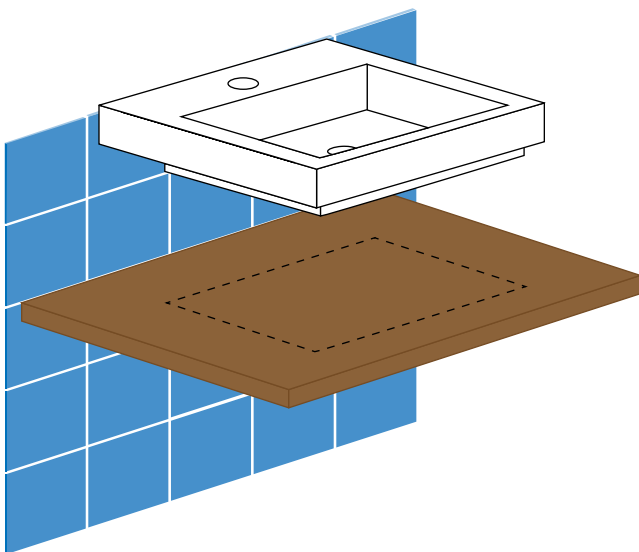
Jigsaw



Tape Measure

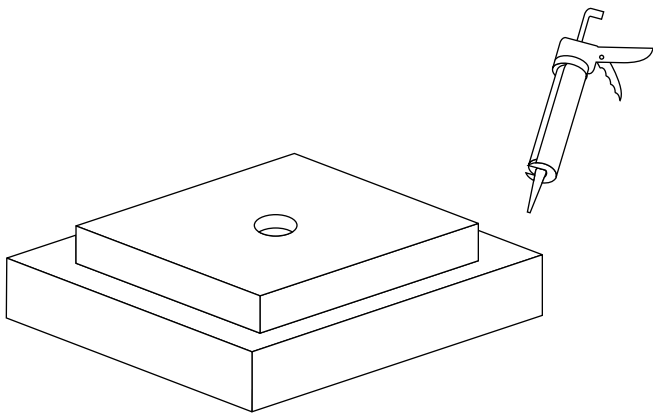


Silicone



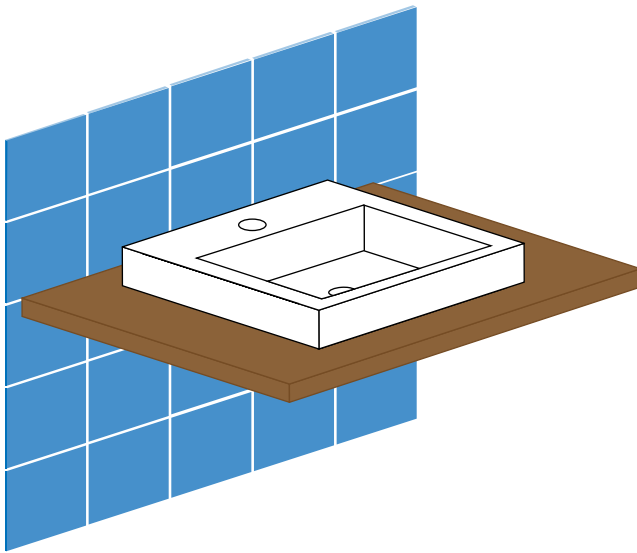
1. Prepare Location

Install vanity or slab according to the manufacturer's guidelines. Place the sink on the countertop and determine its permanent location. Mark the sink basin location and cut an opening.



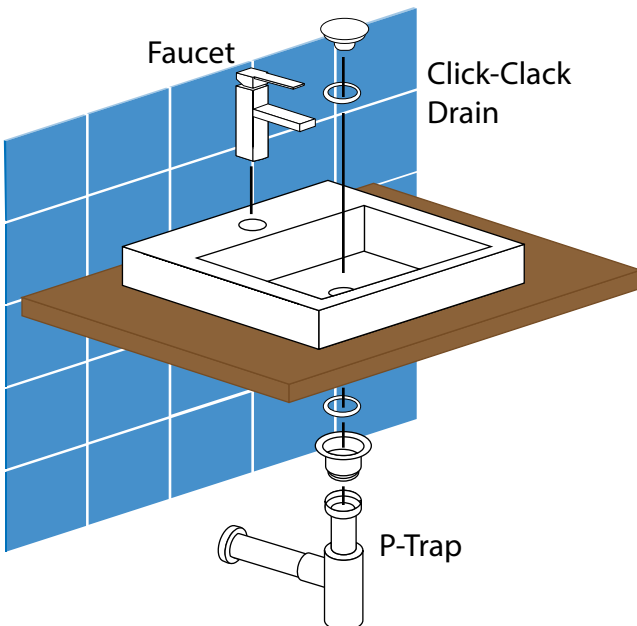
2. Add Silicone To Bottom Of Sink

Place a bead of silicone on the underside of the sink.



3. Align Sink

Line up the sink basin with the countertop and press firmly.



4. Sink Accessories

Complete your installation by adding the preferred plumbing accessories, such as the faucet, click clack drain, p-trap and angle valves to your sink.